

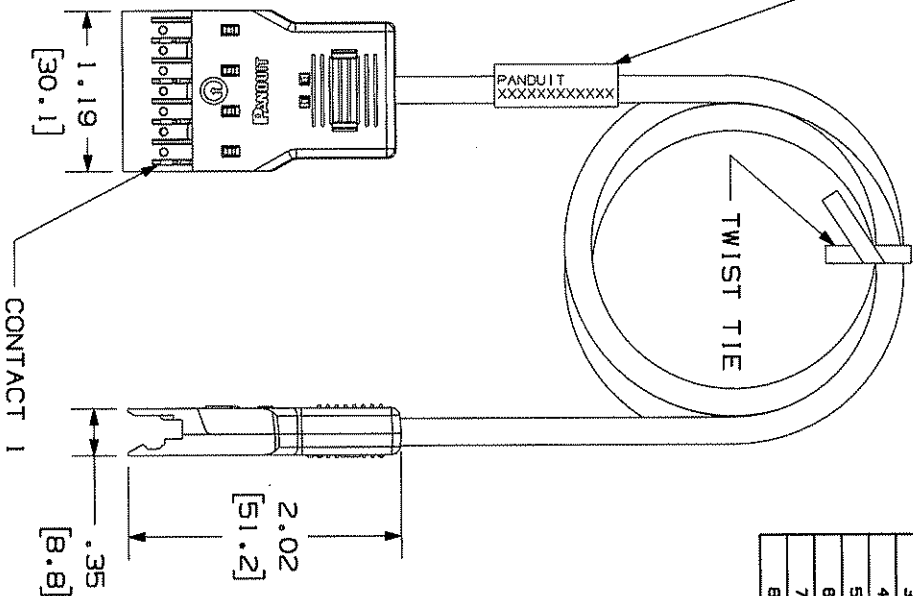
THIS COPY IS PROVIDED ON A RESTRICTED BASIS AND IS NOT TO BE USED IN ANY WAY DETRIMENTAL TO THE INTERESTS OF PANDUIT CORP.

IDENTIFICATION LABEL

TWIST TIE

CONTACT	WIRE COLOR
1	WHITE/BLUE
2	BLUE
3	WHITE/ORANGE
4	ORANGE
5	WHITE/GREEN
6	GREEN
7	WHITE/BROWN
8	BROWN

- NOTES:
- SEE CURRENT CATALOG FOR VARIOUS APPLICATIONS AND TO INDICATE PACKAGE QUANTITY.
  - 110 CONNECTORS ON BOTH ENDS. THE PATCH CORDS CAN BE USED WITH PANDUIT PATCH CLIP CAP TO ENSURE PROPER WIRE SEQUENCE AND CONNECTOR ORIENTATION. RETAINING CLIPS SECURE THE JACKET CLOSE TO THE PORT FOR MINIMIZED STRESS ON WIRES DURING DISCONNECTION.
  - POLARIZED TO PREVENT REVERSE INSTALLATION TO CONNECTOR. TINNED COPPER CONDUCTORS.
  - DIMENSIONS IN PARENTHESES ARE IN METRIC.



PANDUIT P/N	MIN. CABLE LENGTH	WEIGHT
P110PC4162Y	2 FT.	.83 LB./ 10 PCS (378.5 g/ 10PCS)
P110PC4163Y	3 FT.	1.05 LB./ 10 PCS (478.3 g/ 10PCS)
P110PC4164Y	4 FT.	1.25 LB./ 10 PCS (568.9 g/ 10PCS)
P110PC4165Y	5 FT.	1.48 LB./ 10 PCS (682.2 g/ 10PCS)
P110PC4166Y	6 FT.	1.67 LB./ 10 PCS (757.5 g/ 10PCS)
P110PC4167Y	7 FT.	1.82 LB./ 10 PCS (828.0 g/ 10PCS)
P110PC4168Y	8 FT.	2.09 LB./ 10 PCS (948.0 g/ 10PCS)
P110PC4169Y	9 FT.	2.30 LB./ 10 PCS (1043.9g/ 10PCS)
P110PC41612Y	12 FT.	2.93 LB./ 10 PCS (1328.0g/ 10PCS)
P110PC41615Y	15 FT.	3.58 LB./ 10 PCS (1614.8g/ 10PCS)
P110PC41618Y	18 FT.	4.19 LB./ 10 PCS (1900.6g/ 10PCS)
P110PC41619Y	18 FT.	.75 LB./ 10 PCS (342.0 g/ 10PCS)
P110PC41619Y	1M	1.09 LB./ 10 PCS (484.4 g/ 10PCS)
P110PC41619Y	1.5M	1.44 LB./ 10 PCS (653.2 g/ 10PCS)
P110PC41620Y	2M	1.79 LB./ 10 PCS (807.4 g/ 10PCS)
P110PC41630Y	3M	2.49 LB./ 10 PCS (1120.5g/ 10PCS)
P110PC41630Y	5M	3.95 LB./ 10 PCS (1748.1g/ 10PCS)

REV	DATE	BY	CHK	DESCRIPTION	ECN	R	CUST	SUP	OTH
R	3-17-06	NER	NER	RELEASED TO PRODUCTION.	02479-255		WAV		

DRAWING FILENAME: M02479JUS\_DC255\_00A.PRT

TITLE: CATEGORY 5e 110 PATCHCORD CUSTOMER DRAWING

SIZE: A

1:1 NUMBER

PRODUCT SPEC

WORK INSTRUCTION

SCALE: NONE

PART NO.: P110PC4\*\*\*\*Y

DRAWING NO.: 02479-255

DRAWN BY: NER

DATE: 3-17-06

REVIEW DRAWING NUMBERS:

ALL DIMENSIONS ARE GIVEN IN INCHES. DIMENSIONAL TOLERANCES ARE: 1.XX1 ± .031(.81) 1.XXX1 ± .010(.25) ANGLES: ±

TINLEY PARK, IL 60477

PANDUIT CORP.